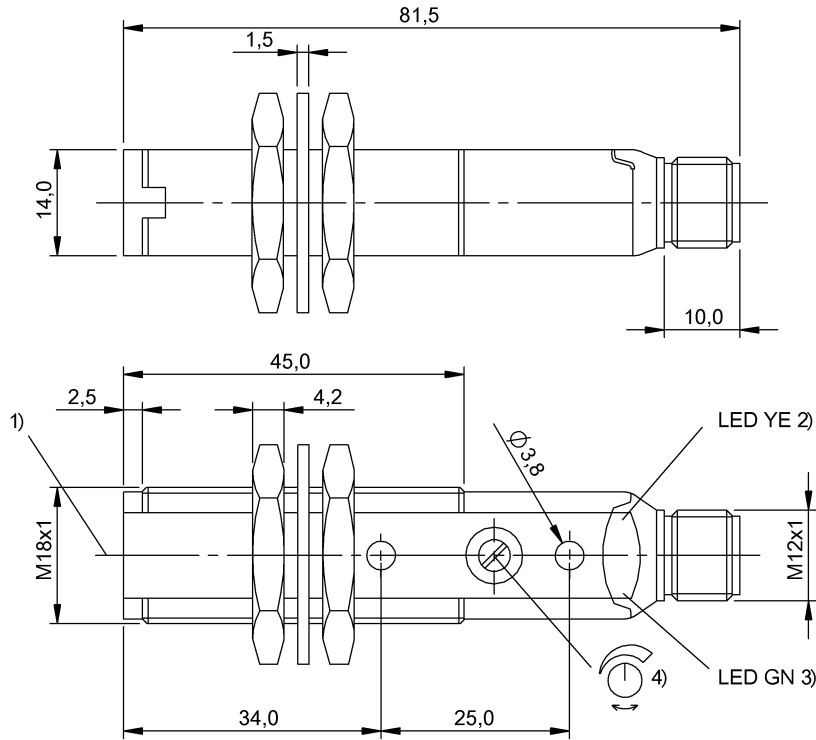
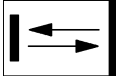


**BOS 18KF-PA-1PE-S4-C**  
**Ordering code: BOS00K1**

Diffuse sensor  
 Light scanner, energetic  
 Series 18KF  
 bis 700 mm

PNP (2x), NO-NC (pins 4-2)  
 Infrared  
 DC, direct current

**BALLUFF**  
 sensors worldwide



**Characteristic data**

Short-circuit protected	yes
Degree of protection as per IEC 60529	IP67
Protection class	II
Protected against polarity reversal	yes
Indicator	Stability - LED GN
Setting	Switching distance $S_n$
Adjuster	Potentiometer 270° (1x)
Switching freq. f max.	1000 Hz

**Optical data**

Switching function, optical	NO light-on - NC dark-on
Light type	Infrared
Wavelength	880 nm
Ambient light max.	5,000 Lux

**Electrical data**

Operating voltage	24 V
Rated operating voltage $U_e$ DC	100 mA
Effective operating current $I_e$	75 V DC V
Rated insulation voltage $U_i$	8 %
Ripple max. (% of $U_e$ )	PNP (2x)
Switching output	

Switching function	NO-NC (pins 4-2)
Turn-off delay $t_{off}$ max.	0,5
Turn-on delay $t_{on}$ max.	0,5
No-load current max. $I_o$ at $U_e$	35
Voltage drop $U_d$ max. (at $I_e$ )	2

**Mechanical data**

Connector type	M12x1-S04
Eff. switching distance $S_r$	700 mm
Shock rating	Half-sinus, 30gn, 11ms, 3x6
Vibration rating	10-55 Hz, 0.5mm ampl., 3x30min
Ambient temperature	-25...55 °C
Sensing surface material	PMMA
Housing material	PBT
Mounting type	Nut M18x1 Screw M3

**Design**

Capture range $S_d$	Flat cylinder, straight optics
Beam characteristic	0...700 mm
Range $S_n$	Divergent
Minimum operating distance	$S_n = 700$ mm, adjustable 0 mm

**Basic data**

Connection	Connector, M12x1-S04
------------	----------------------

**BOS 18KF-PA-1PE-S4-C**  
**Ordering code: BOS00K1**

**Diffuse sensor**  
**Light scanner, energetic**  
**Series 18KF**  
**bis 700 mm**

**PNP (2x), NO-NC (pins 4-2)**  
**Infrared**  
**DC, direct current**

**BALLUFF**  
*sensors worldwide*

Basic standard IEC 60947-5-2  
The sensor is functional again after the overload has been eliminated.  
Reference object (target): Gray card, 200 x 200, 90 % remission, axial approach.  
With connector, e.g. BKS-S 20-... total length = switch length + 18 mm.  
For additional information, refer to user's guide.  
Order accessories separately.



Definitions see main catalog

subject to change

